

**MODEL ANSWER**

SUMMER- 18 EXAMINATION

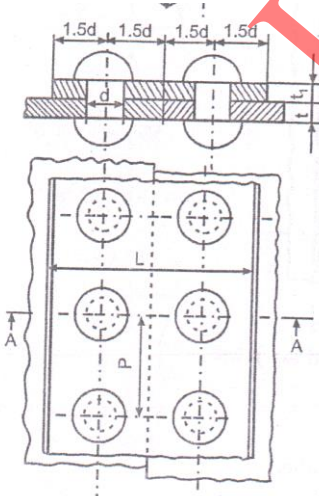
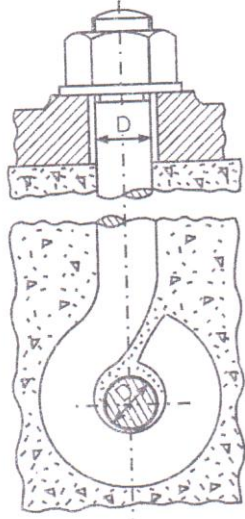
Subject Title: ENGINEERING DRAWING

Subject Code:

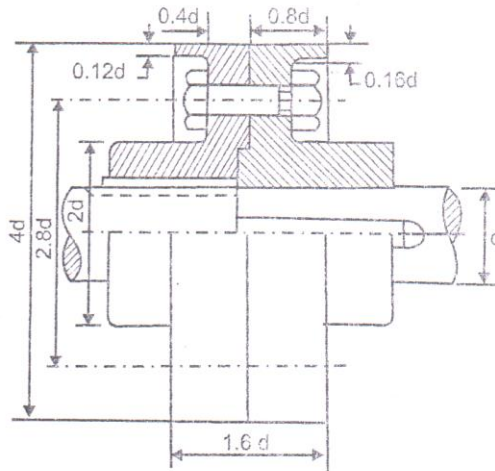
22207

**Important Instructions to examiners:**

- 1) The answers should be examined by key words and not as word-to-word as given in the model answer scheme.
- 2) The model answer and the answer written by candidate may vary but the examiner may try to assess the understanding level of the candidate.
- 3) The language errors such as grammatical, spelling errors should not be given more Importance (Not applicable for subject English and Communication Skills).
- 4) While assessing figures, examiner may give credit for principal components indicated in the figure. The figures drawn by candidate and model answer may vary. The examiner may give credit for any equivalent figure drawn.
- 5) Credits may be given step wise for numerical problems. In some cases, the assumed constant values may vary and there may be some difference in the candidate's answers and model answer.
- 6) In case of some questions credit may be given by judgement on part of examiner of relevant answer based on candidate's understanding.
- 7) For programming language papers, credit may be given to any other program based on equivalent concept.

Q. No.	Sub Q. N.	Answer	Marking Scheme
1		<p>a) Single Rivetted, Single Strap Butt Joint</p>  <p>b) Eye Foundation Bolt</p> 	02 Marks each

c) Protected Flange Coupling

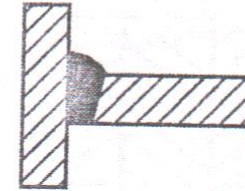


d) Double u butt / Single bevel butt

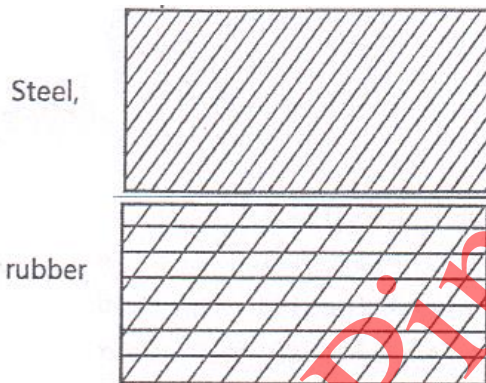
Double-U butt



Single-bevel butt



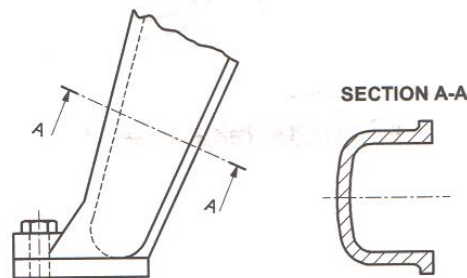
e) Steel and Rubber



f) i) FALSE

ii) TRUE

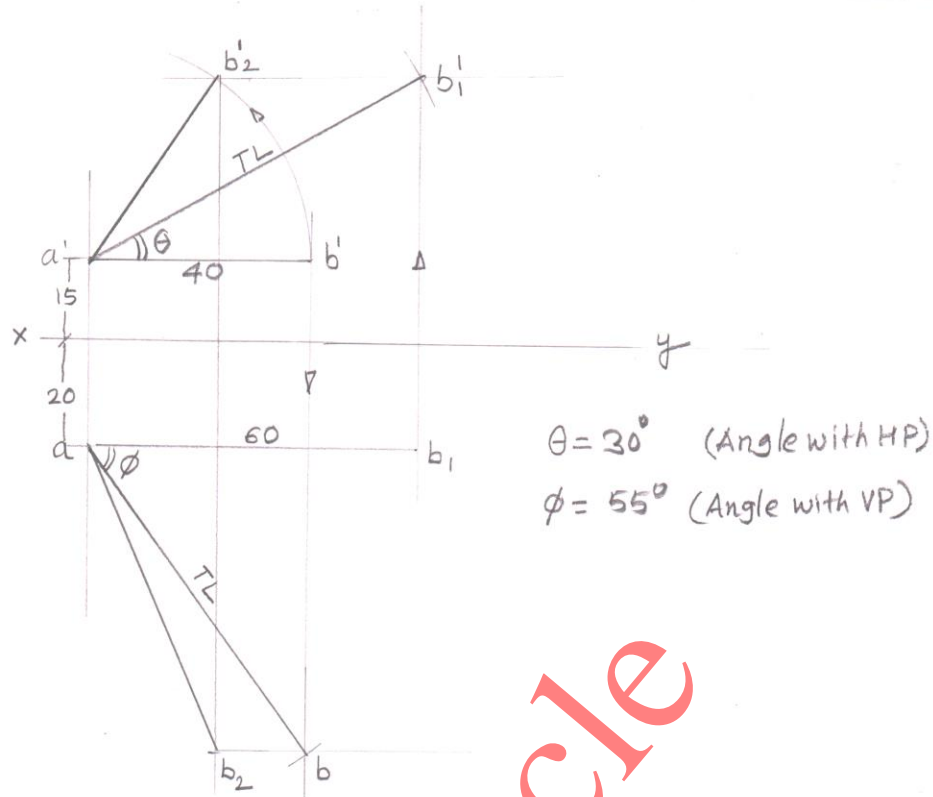
g) Removed Section



It is similar to revolved type of section except that it does not appear on the view. Here the section is shown to some adjacent open place on the drawing. Removed sections of symmetrical parts are placed on the extension of the center line wherever possible.

2

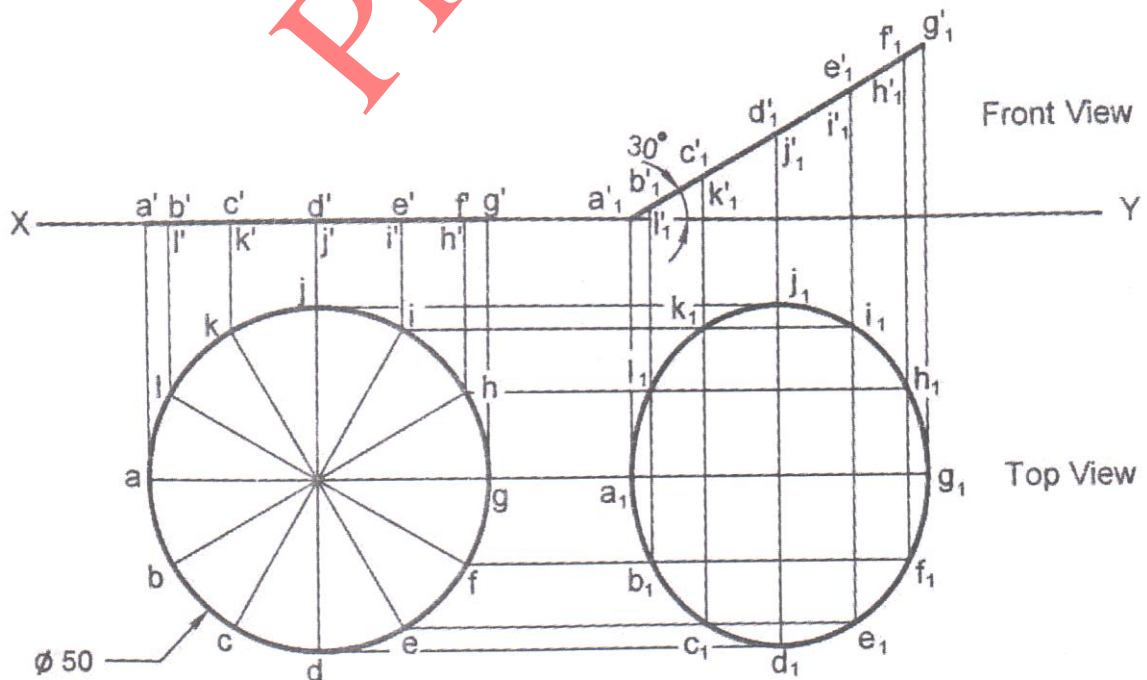
a



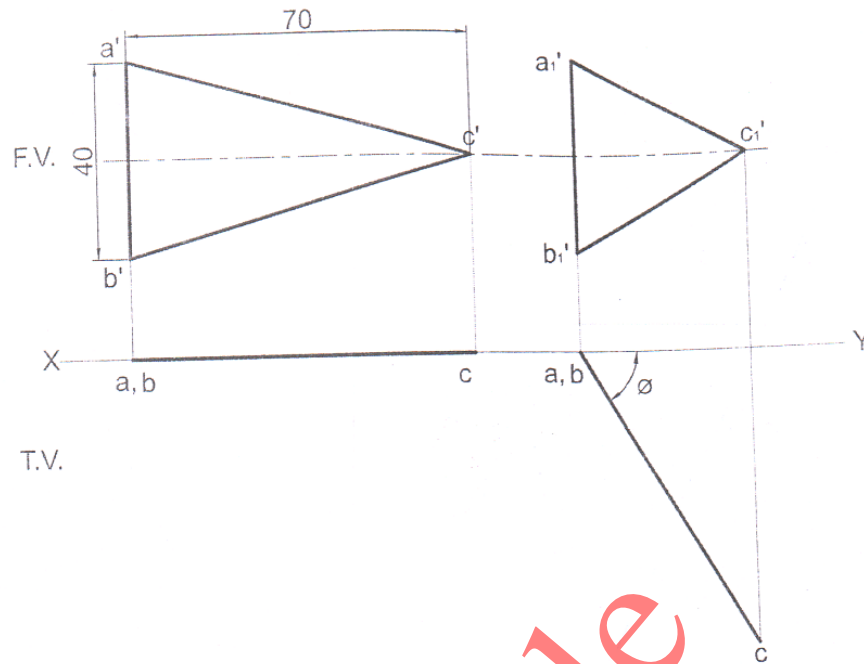
03  
Marks  
for  
projecti  
on  
01Mark  
for  
angle

b

(02 Marks for initial Position, 02 Marks for final position)

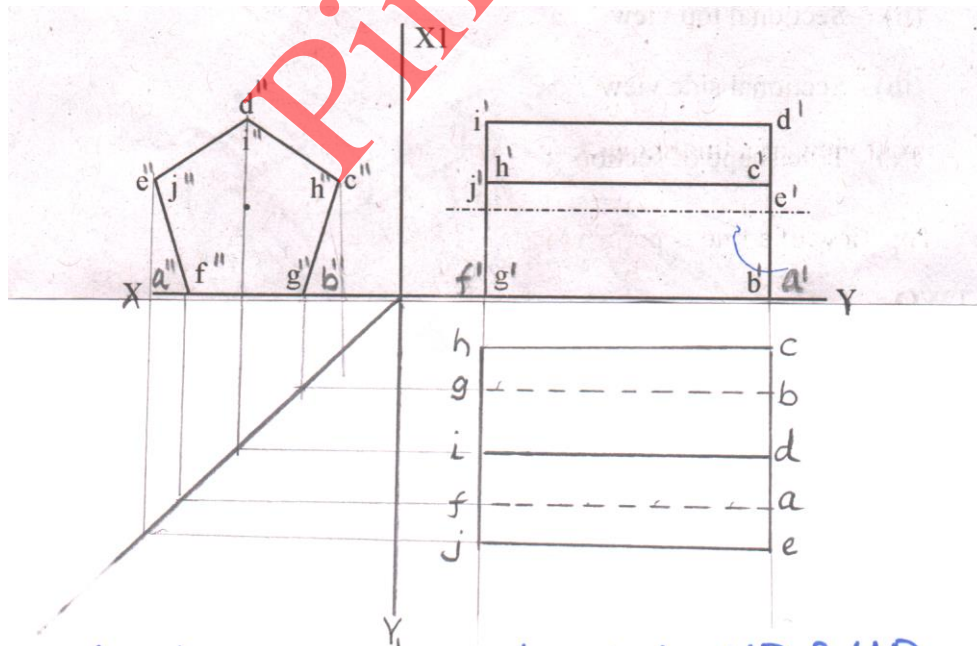


c (02 Marks for initial Position, 02 Marks for final position)



$\emptyset =$  Inclination with V.P. = 60 degrees

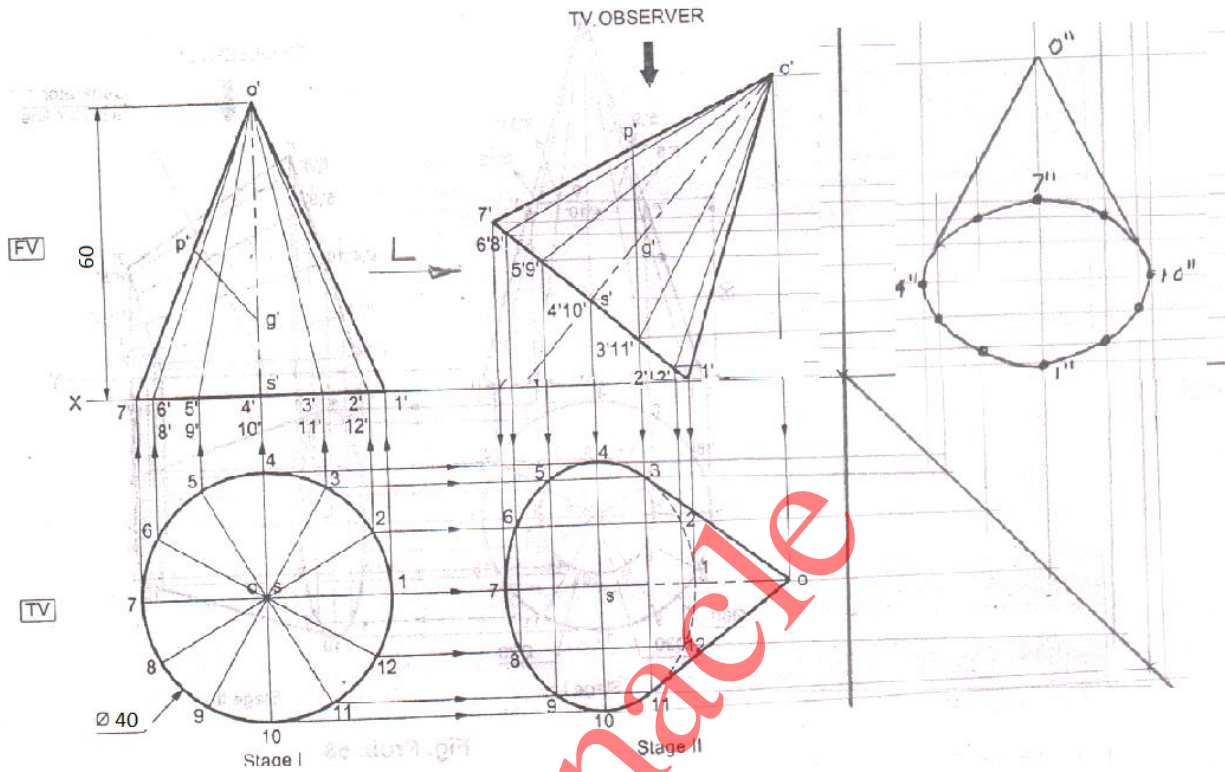
d (02 Marks for Top view, 01 Mark for each position of plane)



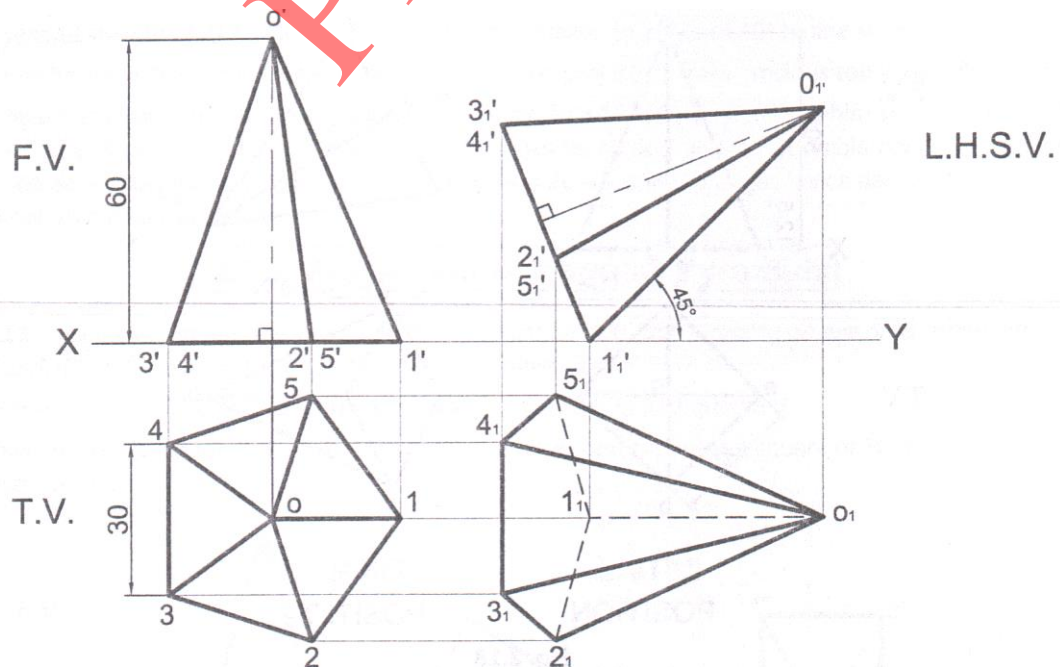
i) Plane ABCDE is  $\perp$  to VP & HP  
ii) Plane ABGF is on HP &  $\perp$  to VP



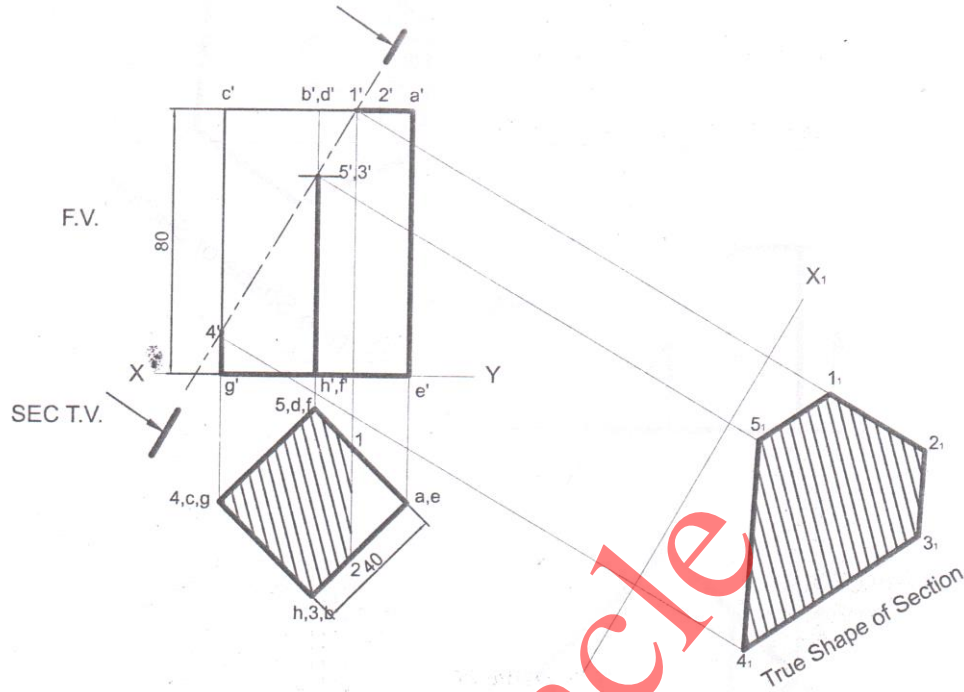
e (02 Marks for initial Position, 02 Marks for final position)



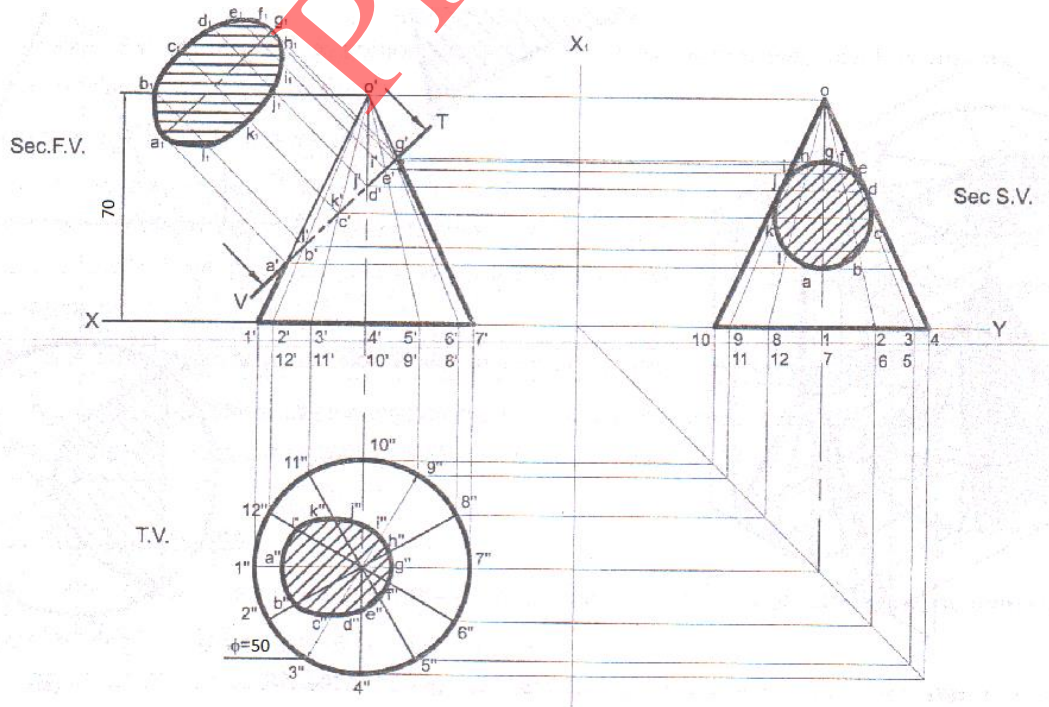
3 a (04 Marks for initial Position, 04 Marks for final position)



b (03 Marks for F.V., 03 Marks for Sect. T.V. and 02 Marks for true shape of section)



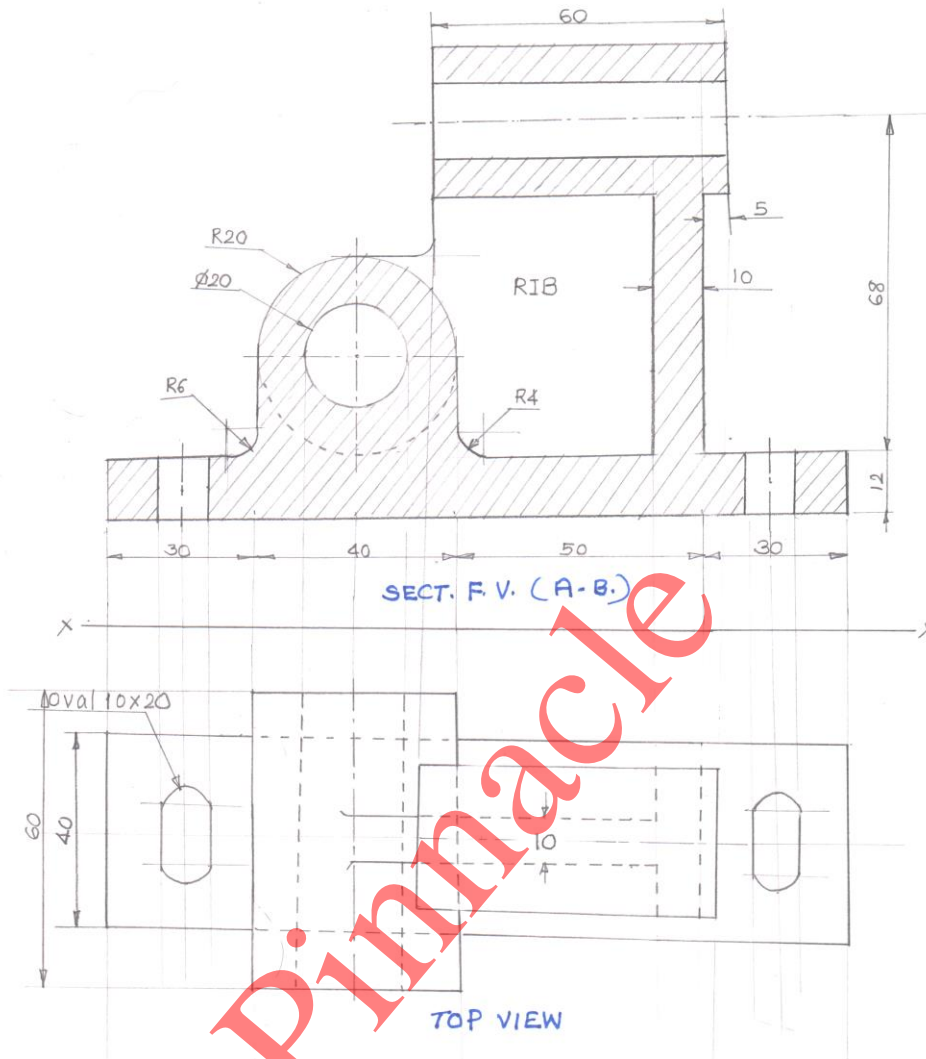
c (02 Marks for F.V., 02 Marks for Sect. T.V., 02 Marks for Sect. S.V. and 02 Marks for true shape of section)



4

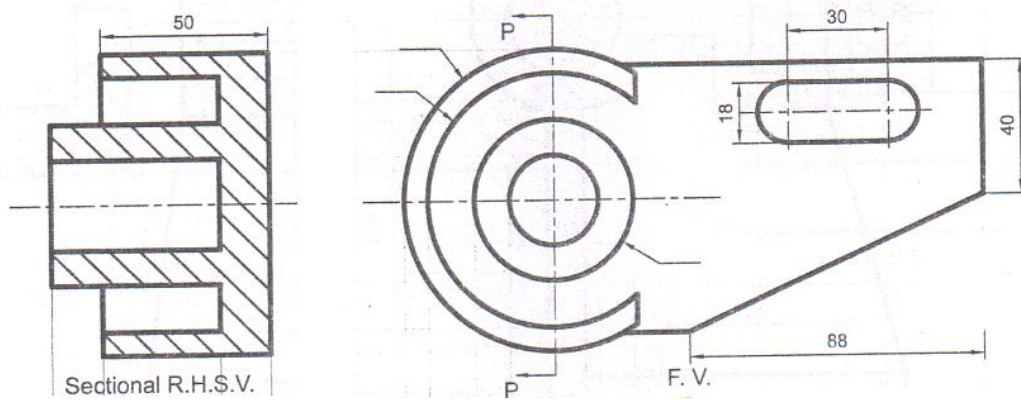
a

(04 Marks for Sect. F.V. and 04 Marks for T.V.)



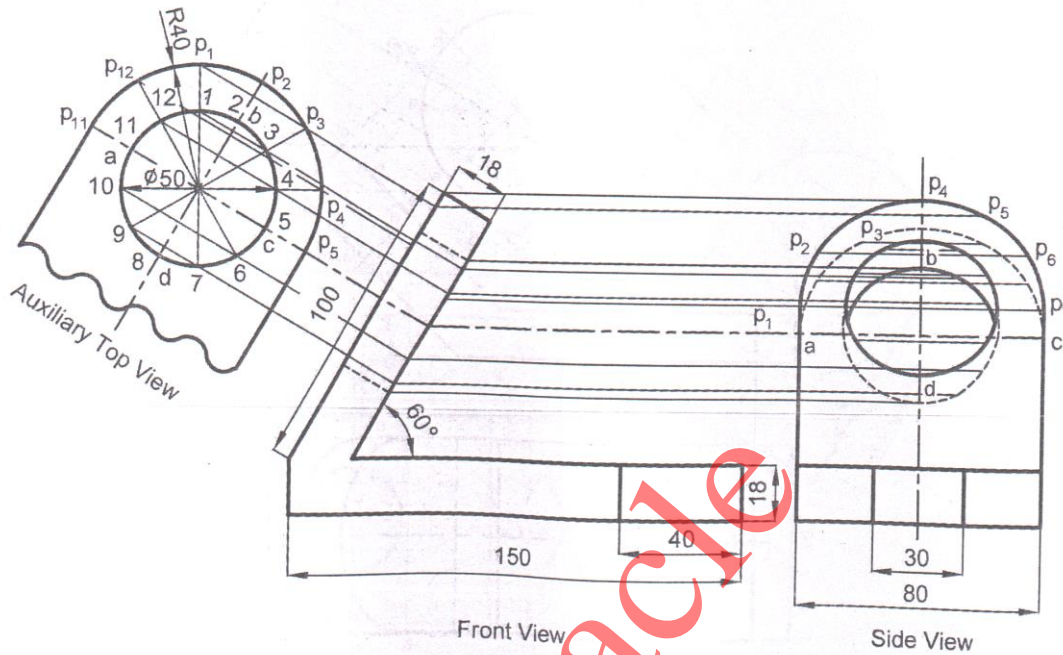
b

(04 Marks for F.V. and 04 Marks for Sect. S.V.)

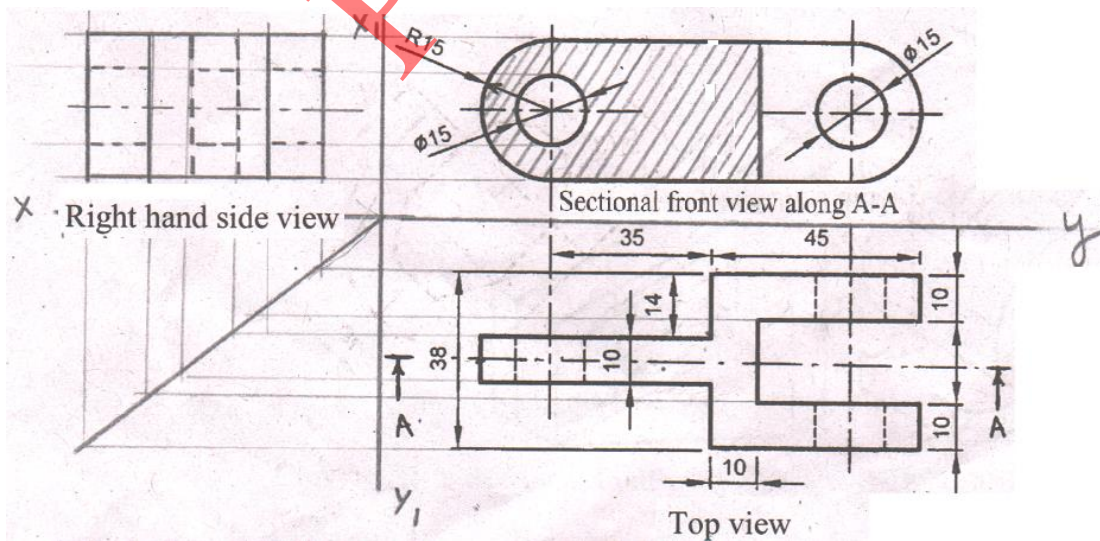




c (02 Marks for F.V., Auxiliary T.V. 02 Marks and 04 Marks for L.H.S.V.)

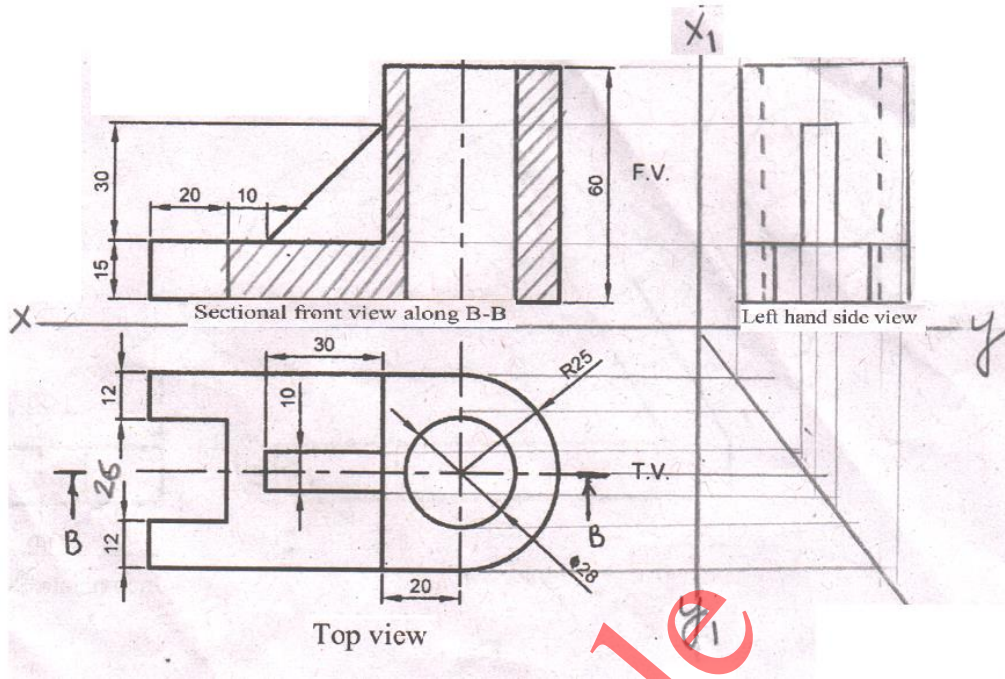


5 a (04 Marks for Sect. F.V., 02 Marks for T.V. and 02 Marks for R.H.S.V.)





b (04 Marks for Sect. F.V., 02 Marks for T.V. and 02 Marks for L.H.S.V.)



c (02 Marks for F.V., Auxiliary T.V. 02 Marks and 04 Marks for R.H.S.V.)

